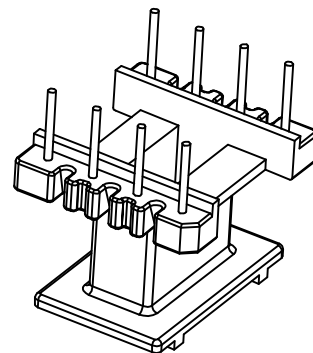
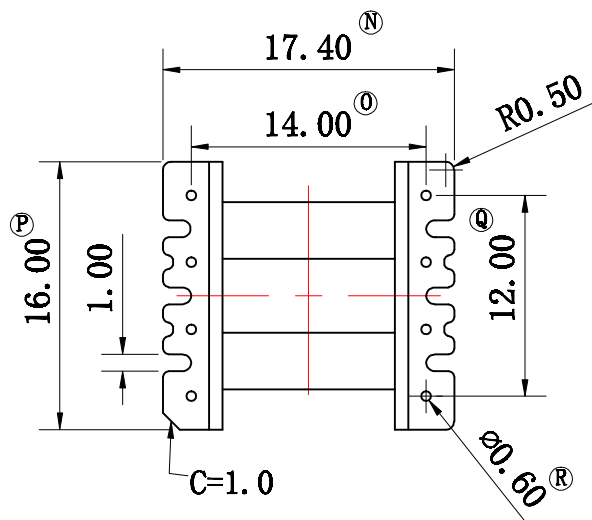
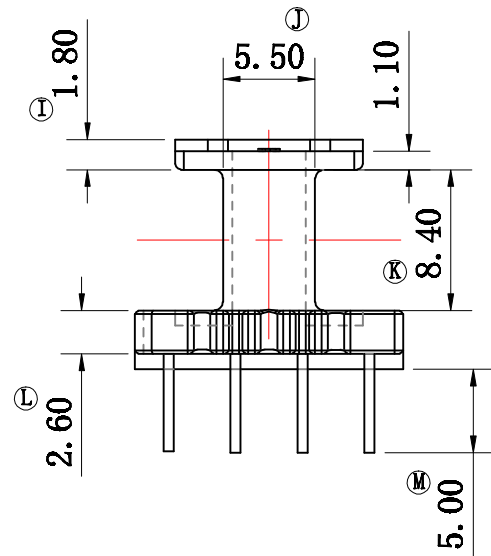
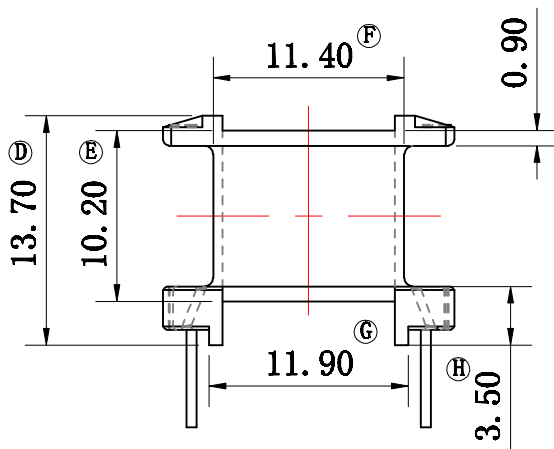
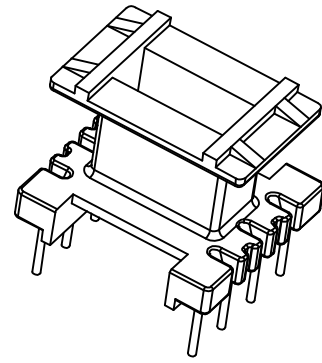
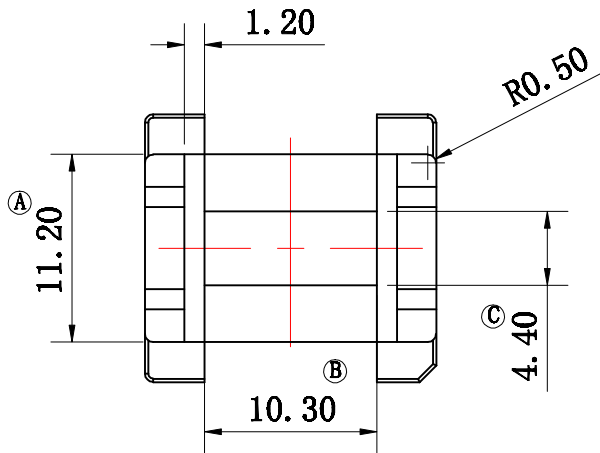


FWB1605-J



REV	REVISION RECORD	DATE	REV	REVISION RECORD	DATE	
A			C			
B			D			
NAME	EE16 4+4P	MATERIAL	PHENOLIC	SCALE	ANGLE	$\pm 1^\circ$
DRAWING NO.	FWB1605-1-J	PIN MATERIAL	CP WIRE	UNIT	REV	A
TOLERANCE OF PIN PITCH ± 0.20			HAINING FERRIWO ELECTRONICS CO.,LTD. TEL: +86-573-87088701 FAX: +86-573-87081130 Web: www.ferriwo.com Email: sales@ferriwo.com			
PIN TENSION LOAD		kg MIN				
TOLERANCE: $0 < L \leq 4: \pm 0.2$ $4 < L \leq 16: \pm 0.3$ $16 < L \leq 63: \pm 0.4$		UL REC: 94V-0				